

LESTER ELECTRICAL BATTERY CHARGER PRICE LIST

Effective: August 3, 2009

SCR Chargers

Lester Electrical SCR (Silicon Controlled Rectifier) industrial battery chargers continue the tradition of proven Lester Electrical reliability and durability while featuring advanced microprocessor controllers for optimum battery capacity and life. Precise Lester Electrical charging and termination algorithms prevent both undercharging and overcharging, optimizing both daily battery capacity and overall battery life.

Our SCR chargers can be ordered configured for Wet or Sealed batteries, and most models feature a switch or jumper that can be used to select between a Wet or Sealed charge profile in the field.

DC Output		AC Input			Case	Weight (lbs)	Agency Approvals	Product Line	Model Number	Retail Price*	Recommended Alternative
Volts	Amps	Volts	Amps	Hz							
<i>Domestic</i>											
12	12	120	3	60	H	17		Dual Mode	24530	\$ 247	--
12	25	120	5	60	S	28	1, 2	E-Series	27070	\$ 350	--
12	25	120	5	60	S	28	1, 2	X-Series	26900	\$ 400	--
12	50	120	9	60	S	35	1, 2	X-Series	27020	\$ 460	--
24	5	120	2	60	NS	12	1, 2	Power Cube	17750	\$ 167	--
24	8	120	3	60	H	18	1, 2	Dual Mode	18330	\$ 197	--
24	8	120	3	60	D	17	1, 2	Dual Mode	18350	\$ 209	--
24	12	120	5	60	D	22	1, 2	Dual Mode	18360	\$ 252	--
24	21	120	8.5	60	S	34	1, 2	SCR	25910	\$ 342	26010
24	21	120	8.5	60	S	34	1, 2	E-Series	26010	\$ 342	--
24	25	120	9.5	60	S	37	1, 2	SCR	25920	\$ 375	26040 or 27010
24	25	120	9.5	60	S	37	1, 2	E-Series	26040	\$ 375	--
24	25	120	9.5	60	S	37	1, 2	X-Series	27010	\$ 425	--
24	35	120	12.5	60	S	42	1, 2	X-Series	27030	\$ 465	--
36	21	120	11.5	60	S	37	1, 2	SCR	25900	\$ 362	25970
36	21	120	11.5	60	S	37	1, 2	E-Series	25970	\$ 362	--
36	25	120	13.5	60	S	39	1, 2	SCR	25890	\$ 383	25940 or 27060
36	25	120	13.5	60	S	39	1, 2	E-Series	25940	\$ 383	--
36	25	120	13.5	60	S	39	1, 2	X-Series	27060	\$ 433	--
36	30	120	14.5	60	S	45	1, 2	X-Series	27050	\$ 475	--
48	17	120	11.5	60	S	39	1, 2	SCR	25930	\$ 378	26070 or 27000
48	17	120	11.5	60	S	39	1, 2	E-Series	26070	\$ 378	--
48	17	120	11.5	60	S	39	1, 2	X-Series	27000	\$ 428	--
72	40	208 / 240	26 / 23	50-60	NS	170	1	EVC	16030	\$ 1,677	--
<i>Export</i>											
24	12	90-125 / 180-250	6.5 / 3.3	50-60	D	24		Dual Mode	18830	\$ 281	--
24	20	100-125 / 200-250	10 / 5	50-60	NS	36		World Charger	16370	\$ 551	26700 (HF)
24	25	207-244	5.5	50	S	37	3	SCR	26120	\$ 385	--
36	20	100-125 / 200-250	16 / 8	50-60	NS	41		World Charger	16360	\$ 525	26690 (HF)
36	21	207-244	6.5	50	S	37	3	SCR	26100	\$ 373	--
48	17	207-244	6.5	50	S	39	3	SCR	26110	\$ 389	--
72	40	192-224 / 225-256	26 / 23	50-60	NS	170	1	EVC	16030	\$ 1,677	--

* Retail price does not include a DC connector. See the [DC Connectors](#) section for options and pricing.

Retail price includes palletized shipping packaging. See the [Shipping Packaging](#) section for individualized shipping options and pricing.

High Frequency Chargers

Lester Electrical high frequency industrial battery chargers feature an advanced, sealed, compact design with precise charging and termination algorithms and industry-leading reliability and durability. Our high frequency chargers can be ordered configured for Wet, Gel, or AGM batteries for use in on-board or off-board applications.

DC Output		AC Input			Technology	Weight (lbs)	Agency Approvals	Product Line	Model Number	Retail Price*	Recommended Alternative
Volts	Amps	Volts	Amps	Hz							
<i>Domestic and Export</i>											
24	25	90-264	< 8	50-60	High Frequency	11.5	1,2,3,4,5	High Frequency	26700	\$ 390.00	--
36	16	90-264	< 8	50-60	High Frequency	11.5	1,2,3,4,5	High Frequency	26690	\$ 390.00	--
48	12	90-264	< 8	50-60	High Frequency	11.5	1,2,3,4,5	High Frequency	26680	\$ 390.00	--

* Retail price does not include a DC connector. See the [DC Connectors](#) section for options and pricing.
Retail price includes palletized shipping packaging. See the [Shipping Packaging](#) section for individualized shipping options and pricing.

Ferroresonant Chargers – Automatic

Lester Electrical ferroresonant (ferro) chargers provide both proven reliability/durability and accurate charging. Consider our SCR or high frequency chargers for cost savings, improved charge control, and Sealed battery support. A select list of our automatic models is available below. Contact Lester Electrical sales for additional models.

DC Output		AC Input			Case	Weight (lbs)	Agency Approvals	Product Line	Model Number	Retail Price*	Recommended Alternative
Volts	Amps	Volts	Amps	Hz							
<i>Automatic, Domestic</i>											
12	15	115	3	60	D	16		Lestronic II	09675	\$ 380	24530 (SCR)
24	20	115	7	60	E	28		Lestronic II	09800	\$ 446	26010 (SCR)
24	25	115	9	60	E	30		Lestronic II	07210	\$ 432	26040 or 27010 (SCR)
24	40	115	13	60	B	36		Lestronic II	09513	\$ 524	27030 (SCR)
36	21	120	10	60	G	33		Lestronic II	14100	\$ 451	25970 (SCR) or 19300
36	21	120	10.5	60	NS	36	1, 2	Lestronic II	19300	\$ 362	--
36	25	115	12.5	60	E	32		Lestronic II	06430	\$ 458	25940 or 27060 (SCR)
36	25	115	12	60	E	34	1, 2	Lestronic II	07710	\$ 483	25940 or 27060 (SCR)
36	25	115	12.5	60	E	32		Lestronic II	07850	\$ 447	25940 or 27060 (SCR)
36	36	120	15	60	B	51	1, 2	Lestronic II	17090	\$ 592	27050 (SCR)
36	40	115	17	60	B	41		Lestronic II	09475	\$ 532	27050 (SCR)
42	25	115	14	60	B	37		Lestronic II	14390	\$ 515	--
48	21	120	12	60	B	49	1, 2	Lestronic II	17910	\$ 561	26070 or 27000 (SCR)
48	25	115	15	60	B	39		Lestronic II	09695	\$ 488	26070 or 27000 (SCR)
48	50	230	15	60	C	85		Lestronic II	10150	\$ 1,000	--
60	20	120	15	60	B	57		Lestronic II	17140	\$ 640	--
72	25	115 / 230	16 / 13	60	C	62		Lestronic II	09787	\$ 790	--
<i>Automatic, Export</i>											
24	18	230	3	50	G	31		Lestronic II	16400	\$ 469	26700 (HF) or 26120 (SCR)
24	25	230	4	50	E	38		Lestronic II	07105	\$ 494	26700 (HF) or 26120 (SCR)
36	21	230	5	50	G	37		Lestronic II	14840	\$ 505	26690 (HF) or 26100 (SCR)
36	25	220	6.5	50	NS			Lestronic II	25040	\$ 459	26100 (SCR)
36	25	230	7	50	E	40		Lestronic II	07030	\$ 531	26100 (SCR)
36	40	230	8	50	B	46		Lestronic II	12315	\$ 603	--

* Retail price does not include a DC connector. See the [DC Connectors](#) section for options and pricing.
Retail price includes palletized shipping packaging. See the [Shipping Packaging](#) section for individualized shipping options and pricing.

On-Board / Built-In Chargers – General Purpose

Lester Electrical on-board / built-in industrial battery chargers are designed for use on board electric vehicles. Some models feature a lockout relay or lockout relay control to prevent equipment operation during charging.

DC Output		AC Input			Technology	Weight (lbs)	Agency Approvals	Product Line	Model Number	Retail Price*	Recommended Alternative
Volts	Amps	Volts	Amps	Hz							
<i>General Purpose, Domestic</i>											
24	20	115	7	60	Ferro	28		Lestronic II	09800	\$ 446	26700
24	25	90-264	< 8	50-60	High Frequency	11.5	1,2,3,4,5	High Frequency	26700	\$ 390	--
24	25	115	9	60	Ferro	30		Lestronic II	07210	\$ 432	26700
24	40	115	13	60	Ferro	36		Lestronic II	09513	\$ 524	--
36	16	90-264	< 8	50-60	High Frequency	11.5	1,2,3,4,5	High Frequency	26690	\$ 390	--
36	25	115	12.5	60	Ferro	32		Lestronic II	06430	\$ 458	--
36	36	120	15	60	Ferro	51	1, 2	Lestronic II	17090	\$ 592	--
36	40	115	17	60	Ferro	41		Lestronic II	09475	\$ 532	--
42	25	115	14	60	Ferro	37		Lestronic II	14390	\$ 515	--
48	12	90-264	< 8	50-60	High Frequency	11.5	1,2,3,4,5	High Frequency	26680	\$ 390	--
48	20	100-125 / 200-250	18 / 9	50-60	SCR			--	16510	\$ 683	--
48	25	115	15	60	Ferro	39		Lestronic II	09695	\$ 488	--
48	50	230	15	60	Ferro	85		Lestronic II	10150	\$ 1,000	--
60	20	120	15	60	Ferro	57		Lestronic II	17140	\$ 640	--
72	25	115 / 230	16 / 13	60	Ferro	62		Lestronic II	09787	\$ 790	--
<i>General Purpose, Export</i>											
24	25	90-264	< 8	50-60	High Frequency	11.5	1,2,3,4,5	High Frequency	26700	\$ 390	--
24	25	230	4	50	Ferro	38		Lestronic II	07105	\$ 494	26700
36	16	90-264	< 8	50-60	High Frequency	11.5	1,2,3,4,5	High Frequency	26690	\$ 390	--
36	25	230	7	50	Ferro	40		Lestronic II	07030	\$ 531	--
36	40	230	8	50	Ferro	46		Lestronic II	12315	\$ 603	--
48	12	90-264	< 8	50-60	High Frequency	11.5	1,2,3,4,5	High Frequency	26680	\$ 390	--
48	20	100-125 / 200-250	18 / 9	50-60	SCR			--	16510	\$ 683	--

* Retail price does not include a DC connector. See the [DC Connectors](#) section for options and pricing.

Retail price includes palletized shipping packaging. See the [Shipping Packaging](#) section for individualized shipping options and pricing.

On-Board / Built-In Chargers – Vehicle Specific

These Lester Electrical on-board / built-in industrial battery chargers are designed for use on board specific electric vehicles. A select list of our vehicle specific models is available below. Contact Lester Electrical sales for additional models.

DC Output		AC Input			Technology	Weight (lbs)	Agency Approvals	Product Line	Model Number	Retail Price*	Recommended Alternative
Volts	Amps	Volts	Amps	Hz							
<i>Vehicle Specific</i>											
12	10	120	2.4	60	SCR	20		--	18730	\$ 248	--
12	10	115	2	60	Ferro, MT	14		Lester-Matic	06685	\$ 312	--
24	20	120	8	60	Ferro	29		Lestronic II	13370	\$ 517	--
24	25	115	9	60	Ferro, MT	28		Lester-Matic	09032	\$ 458	--
24	40	100-125 / 200-250	14 / 7	60	Ferro	36		Lestronic II	14460	\$ 573	--
36	20	120	11	60	Ferro	36		Lestronic II	13480	\$ 549	--
48	25	115	15	60	Ferro	48		Lestronic II	12380	\$ 564	--
48	25	230	13	50	Ferro	51		Lestronic II	12660	\$ 594	--

* Retail price does not include a DC connector. See the [DC Connectors](#) section for options and pricing.
Retail price includes palletized shipping packaging. See the [Shipping Packaging](#) section for individualized shipping options and pricing.

Manual Timer Chargers – Ferroresonant


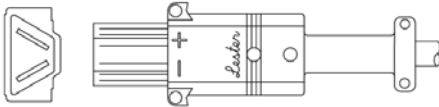
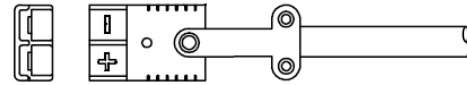
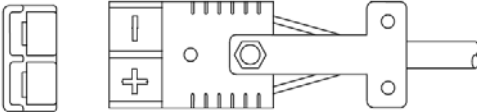
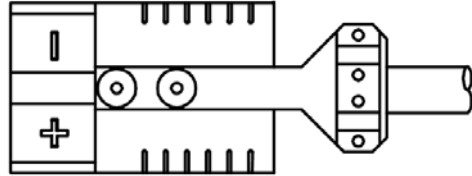

Lester Electrical manual timer industrial battery chargers provide proven reliability/durability. A select list of our manual timer models is available below. Contact Lester Electrical sales for additional models.

DC Output		AC Input			Case	Weight (lbs)	Agency Approvals	Product Line	Model Number	Retail Price*	Recommended Alternative
Volts	Amps	Volts	Amps	Hz							
<i>Manual Timer</i>											
24	20	115	7	60	E	29	1	Lester-Matic	06730	\$ 414	--
24	25	115	8	60	E	29		Lester-Matic	13175	\$ 370	--
36	25	115	11	60	E	30		Lester-Matic	09611	\$ 383	--
36	25	115	11	60	E	34	1, 2	Lester-Matic	07745	\$ 424	--
36	40	115	18	60	B	41		Lester-Matic	09080	\$ 521	--
48	25	115	15	60	B	33		Lester-Matic	08882	\$ 466	--
72	25	115 / 230	16	60	C	62		Lester-Matic	09113	\$ 818	--

* Retail price does not include a DC connector. See the [DC Connectors](#) section for options and pricing.
Retail price includes palletized shipping packaging. See the [Shipping Packaging](#) section for individualized shipping options and pricing.

DC Connectors

One of the following DC connectors can be factory installed. The price of the connector should be added to the price of the charger. Not all connectors are available with all charger models. Contact a Lester Electrical sales representative for additional DC connector options.

DC Connector Description	Image	Retail Price
None – Charger will not be UL, CSA, or CE listed/certified/registered		N/C
Lester Gray Molded Neoprene Connector		\$ 12
Lester Yellow Polycarbonate Shielded Connector		\$ 12
Anderson SB50 Connector (Gray or Red)		\$ 10
Anderson SB175 Connector (Gray or Red)		\$ 18
Anderson SB350 Connector (Gray or Red)		\$ 34
PowerWise Connector		\$ 39
Anderson #7205 YC Connector		\$ 38

Shipping Packaging

The listed retail prices include palletized shipping packaging. Select charger models are available with shipping packaging specially designed to protect the charger during individual shipping via FedEx or UPS. The retail price of individual shipping packaging is \$20.

Agency Approvals

1. UL Listed or CSA Certified to USA safety standards. Charger must be ordered with a DC connector.
2. CSA Certified or UL Listed to Canadian safety standards. Charger must be ordered with a DC connector.
3. Certified to CE safety standards. Charger must be ordered with a DC connector.
4. UL or CSA Registered to USA safety standards. Charger must be ordered with a DC connector.
5. CSA or UL Registered to Canadian safety standards. Charger must be ordered with a DC connector.



Terms and Conditions

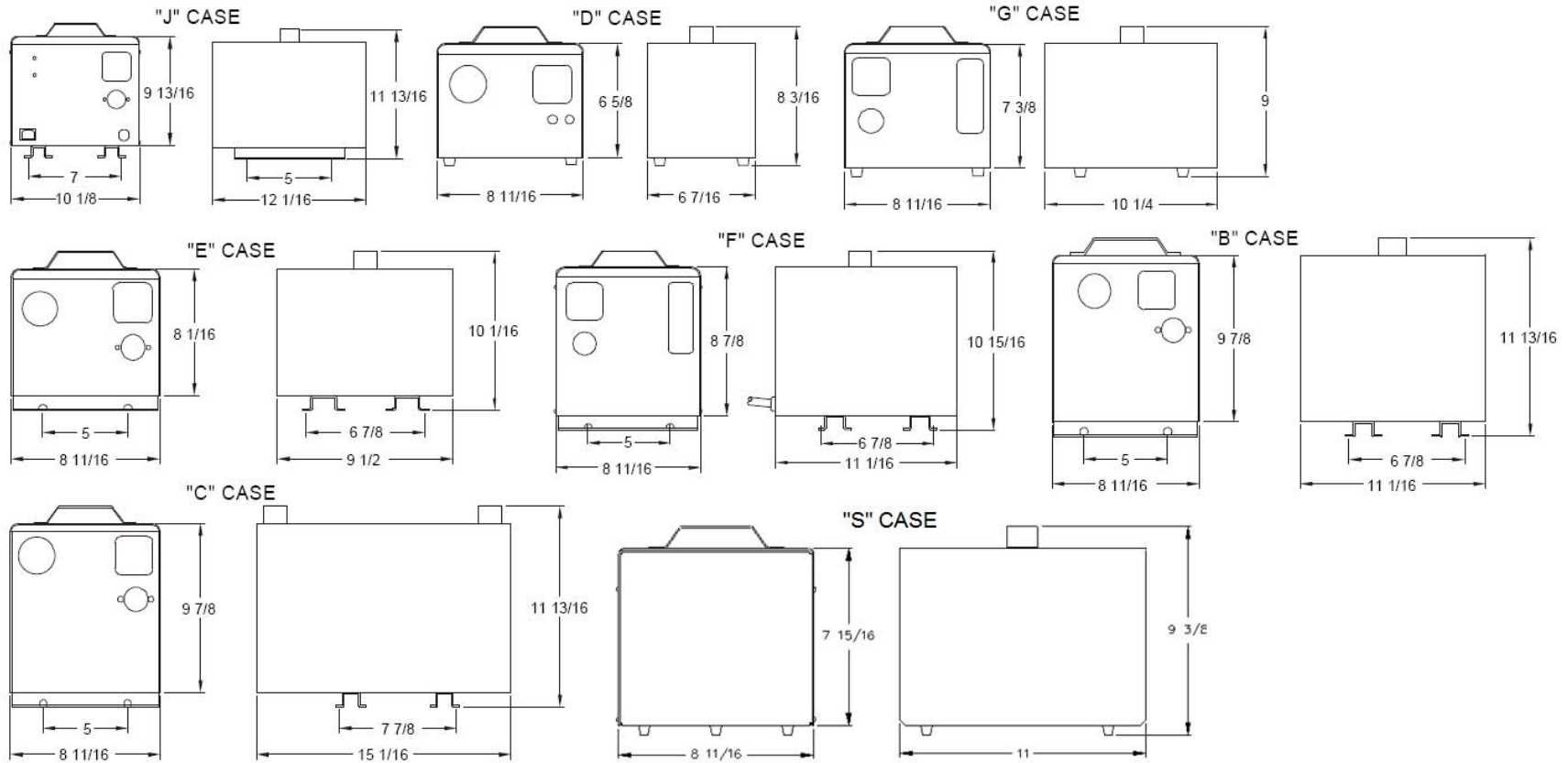
F.O.B. Lincoln, Nebraska, USA
Net 30 days with approved credit
Prices are subject to change without notice

Complete Lester Electrical Sales Terms and Conditions are available at:
<http://www.lesterelectrical.com/search/FM-3.1.8A.pdf>

*Document ID: LE7000, Revised 8/3/2009
Copyright © 2009 Lester Electrical of Nebraska, Inc. All rights reserved.*

625 West A Street, Lincoln, NE 68522-1794
P: 402.477.8988, F: 402.474.1769
www.LesterElectrical.com, Sales@LesterElectrical.com

Dimensions of Select Charger Cases



"NS" – Non-standard case, contact Lester Electrical sales for dimensions