

High Frequency Industrial Battery Chargers

Charger Features

- Advanced high frequency design
 - High efficiency and power factor
 - Pure DC output
- 24, 36, and 48 VDC models
- Compact, lightweight design ideal for on-board applications
- On-board and off-board use
- Proven Lester Electrical reliability
 - Greater than 80,000 hrs MTBF
- Sealed enclosure
- Convection cooled with no moving parts
- Advanced microprocessor control
 - Precise charging and termination algorithms
- Wet, Gel, and AGM battery profiles
- Universal AC input
 - 90-264 VAC, 47-63 Hz range
 - Single model for worldwide use
- Low battery voltage start
- LED indicators
- Charger protection
 - Voltage mismatch, reverse polarity, and short circuit
 - Temperature protection
- Storage/refresh modes
- Equipment lockout control
- UL, CSA, and CE

Advanced, Feature-Rich Chargers

Lester Electrical High Frequency industrial battery chargers offer industry-leading features. They can be used in both on-board and off-board applications, such as material handling, industrial vehicles, and floor care.

Reliable and Durable

The High Frequency product line continues the tradition of proven Lester Electrical reliability. The heavy-duty aluminum case is sealed to protect the charger from water, dirt, and other environmental elements. The efficient convection-cooled design offers optimal heat dissipation without the need for a cooling fan, which further enhances reliability. High Frequency battery chargers are tested to UL, CSA, and CE standards.

Low Battery Voltage Start

Overly-discharged batteries are not an issue for Lester Electrical High Frequency battery chargers with their low DC voltage start feature. They will begin charging batteries with as low as 3 VDC present.



Optimum Battery Capacity and Life

An advanced microprocessor controller is featured in High Frequency battery chargers. Precise Lester Electrical charging and termination algorithms prevent both undercharging and overcharging, optimizing both daily battery capacity and overall battery life.

Wet, Gel, or AGM Batteries

The High Frequency product line can be ordered configured for Wet, Gel, or AGM batteries. Both industry-leading Lester Electrical battery profiles and profiles specified by battery vendors for use with their specific models are available.

Charge Anywhere

Lester Electrical High Frequency chargers are ideal for on-board and portable applications where performance, size, and reliability are critical. Their compact footprint and light weight allow for them to be easily designed into on-board charging systems for nearly any application. The chargers also operate at 90-264 VAC and 47-63 Hz, providing the freedom to charge anywhere in the world with no configuration, which enables you to stock a single model.

Vehicle Lockout

The High Frequency chargers can be configured to energize a vehicle lockout relay that is used to prevent equipment operation during charging.

Storage/Refresh Modes

High Frequency battery chargers are designed to remain connected to batteries with the AC power on when equipment is not in use. A charger will periodically provide a special refresh/conditioning charge to the batteries during storage to overcome battery self-discharge and reduce sulfation.

High Frequency Industrial Battery Chargers

Customizations and Private Branding

Lester Electrical offers customized chargers tailored for specific applications and customers. Charge profiles (software), DC and AC connectors and cables, private labeling, and documentation are just a few of our capabilities.

Models

24V - 26700 / 36V - 26690 / 48V - 26680

SPECIFICATIONS

AC Input Ratings

Voltage	108-250 VAC
Frequency	50-60 Hz
Phase	Single-phase
Current	< 8A for all voltages
Power factor	> 0.95
Protection	Electronic protection

AC Input Tolerances

Voltage	90-264 VAC (< 108 VAC may reduce output)
Frequency	47-63 Hz

DC Output Ratings

Voltage (nom) / current (nom)	24V/25A, 36V/16A, 48V/12A
Battery types	Wet, Gel, or AGM lead-acid
Protection	Electronic protection

Indicators

AC POWER ON	Blue LED
CHARGE STATUS	Yellow LED
CHARGE COMPLETE	Green LED
FAULT	Red LED

Mechanical

Dimensions (LxWxH)	10.59 x 9.92 x 3.11 in (269 x 252 x 79 mm)
Weight (approx)	11.5 lbs (5.2 kg)
AC connector	IEC C14 connector with cord clamp
DC cable/connector	Variety available
Lockout cable/connector	Variety available

Consult a Lester Electrical sales representative for cable and connector options.

Environmental

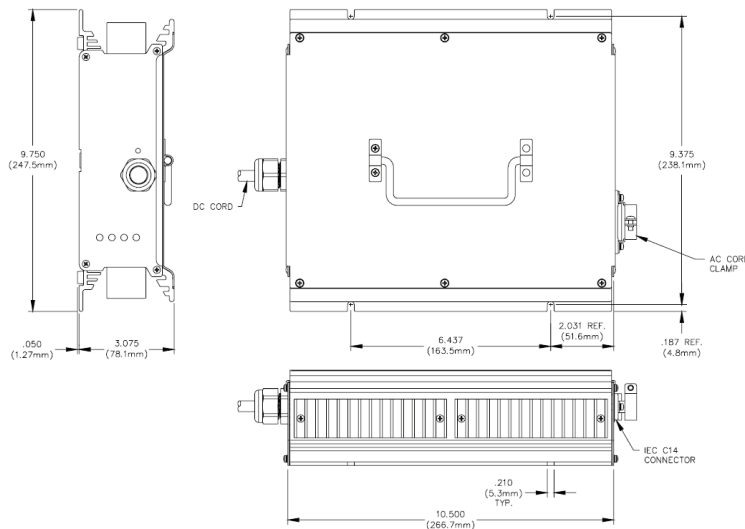
Operating temperature	-10 °C to 45 °C (> 30 °C may reduce output)
Storage temperature	-15 °C to 50 °C

Reliability

> 80,000 hrs MTBF at full output at 30 °C
(Telcordia SR-332, MIL-STD-267)

Safety

UL listed/registered, CSA certified/registered, and CE certified



Represented By:



625 West A Street
Lincoln, NE 68522-1794
P: 877 DC AMPS 9
F: 402.474.1769
Sales@LesterElectrical.com
www.LesterElectrical.com

Specifications are subject to change without notice.
Document ID: HF7001.3
Copyright © 2009 Lester Electrical of Nebraska, Inc. All rights reserved.